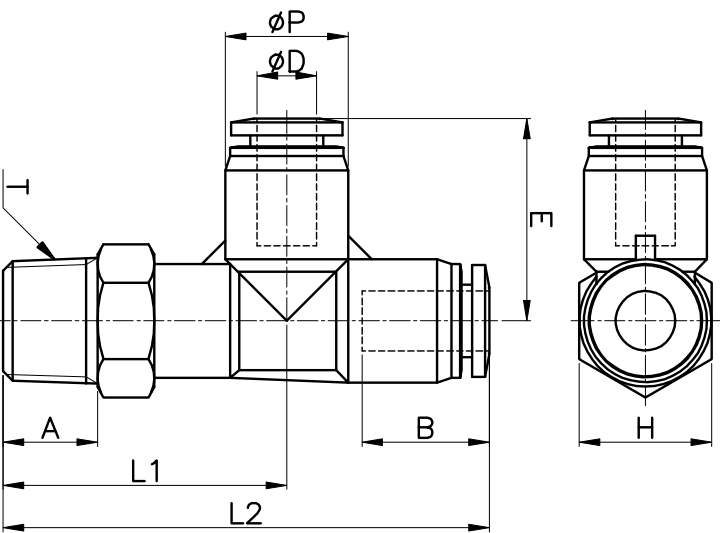


PST



MODEL	ØD	ØP	T	L1	L2	E	A	B	H (Hex)	ORIFICE	WEIGHT (g)	BOX(EA)
PST 04-M5	4	10.6	M5*0.8p	21.5	41.0	19.5	4.0	14.8	10	2.5	10.0	100
PST 04-M6			M6*1.0p	21.6	41.1		10		10.0		100	
PST 04-01			R 1/8	25.5	45.0		10		3.0		12.0	100
PST 04-02	4	10.6	R 1/4	27.5	47.0	19.5	10.0	14.8	14	3.0	18.0	100
PST 04-03			R 3/8	28.5	48.0		17		27.0		50	
PST 06-M5			M5*0.8p	23.0	44.4		12		2.5		15.0	50
PST 06-M6	6	13.0	M6*1.0p	23.1	44.5	21.4	4.1	16.4	12	3.0	15.0	50
PST 06-01			R 1/8	27.0	48.4		12		19.0		50	
PST 06-02			R 1/4	30.0	51.4		14		23.0		50	
PST 06-03	6	13.0	R 3/8	31.0	52.4	21.4	11.0	16.4	17	4.0	31.0	50
PST 06-04			R 1/2	34.0	55.4		21		56.0		25	
PST 08-01			R 1/8	28.8	52.1		14		17.0		50	
PST 08-02	8	15.0	R 1/4	31.8	55.1	23.4	10.0	18.3	14	6.0	25.0	50
PST 08-03			R 3/8	32.8	56.1		17		30.0		50	
PST 08-04			R 1/2	35.8	59.1		21		54.0		25	
PST 10-01	10	18.0	R 1/8	30.0	55.8	25.8	8.0	20.2	17	6.0	34.0	25
PST 10-02			R 1/4	33.0	58.8		17		36.0		25	
PST 10-03			R 3/8	34.0	59.8		17		38.0		25	
PST 10-04	10	18.0	R 1/2	37.0	62.8	25.8	11.0	20.2	17	8.0	38.0	25
PST 12-01			R 1/8	32.9	63.1		21		60.0		25	
PST 12-02			R 1/4	34.9	65.1		19		6.0		51.0	25
PST 12-03	12	20.8	R 3/8	35.9	66.1	30.2	10.0	22.9	19	9.0	50.0	25
PST 12-04			R 1/2	38.9	69.1		19		10.0		52.0	25
							21				66.0	20