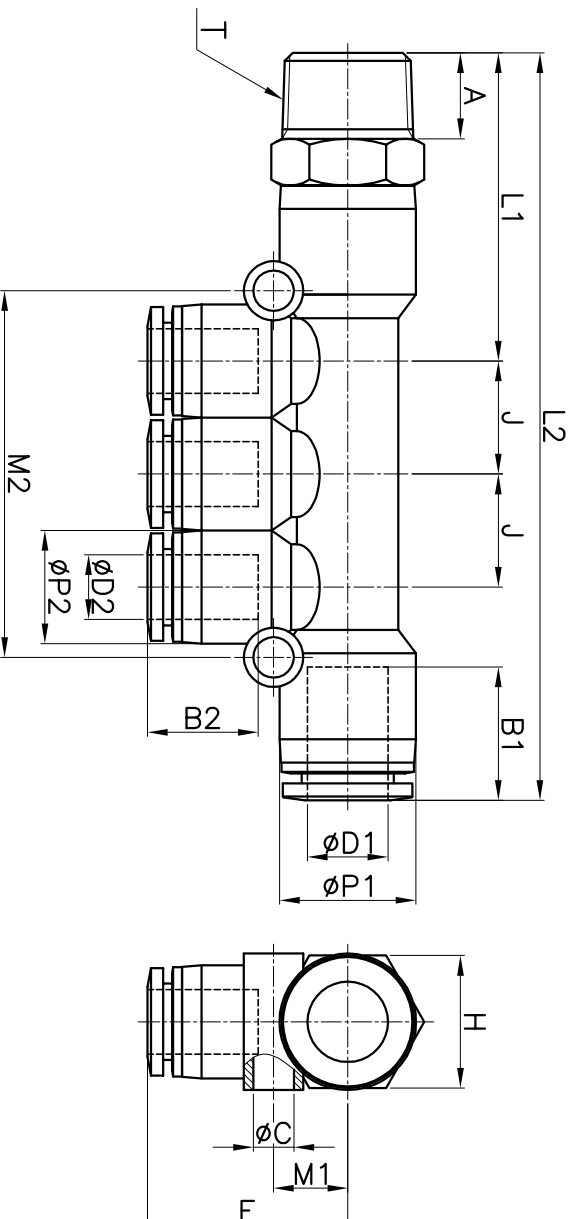


PKD



MODEL	∅D1	∅D2	∅P1	∅P2	T	L1	L2	E	∅C	A	B1	B2	J	M1	M2	H ^H (Hex)	ORIFICE	WEIGHT (g)	BOX(EA)
PKD 0604-01	6	4	12.5	10.5	R 1/8	30.1	72.1	19.5	3.3	8.0	16.4	14.8	10.5	7.6	34.0	12	3.0	20.0	25
PKD 0604-02					R 1/4	33.1	75.1	10.0	14.8	10.5	7.6	34.0	14	25.2	25				
PKD 0804-01	8	4	14.5	10.5	R 1/8	30.9	74.1	20.7	4.3	8.0	18.3	14.8	10.5	9.2	34.8	14	3.0	23.1	25
PKD 0804-02					R 1/4	33.9	77.1	10.0	14.8	10.5	9.2	34.8	14	30.0	25				
PKD 0806-01	8	6	14.5	12.5	R 1/8	31.9	80.1	22.2	4.3	8.0	18.3	16.4	12.5	9.3	41.1	14	5.0	26.8	25
PKD 0806-02					R 1/4	34.9	83.1	10.0	16.4	12.5	9.3	41.1	14	33.0	25				
PKD 1006-02	10	6	17.5	12.5	R 1/4	37.9	89.6	22.8	4.3	10.0	20.2	16.4	12.5	9.5	41.7	17	5.0	40.3	25
PKD 1006-03					R 3/8	38.9	90.6	11.0	16.4	12.5	9.5	41.7	17	47.0	20				
PKD 1008-02	10	8	17.5	14.5	R 1/4	38.5	94.9	25.7	4.3	10.0	20.2	18.3	14.5	9.5	47.0	17	6.8	44.3	20
PKD 1008-03					R 3/8	39.5	95.9	11.0	18.3	14.5	9.5	47.0	17	50.0	20				