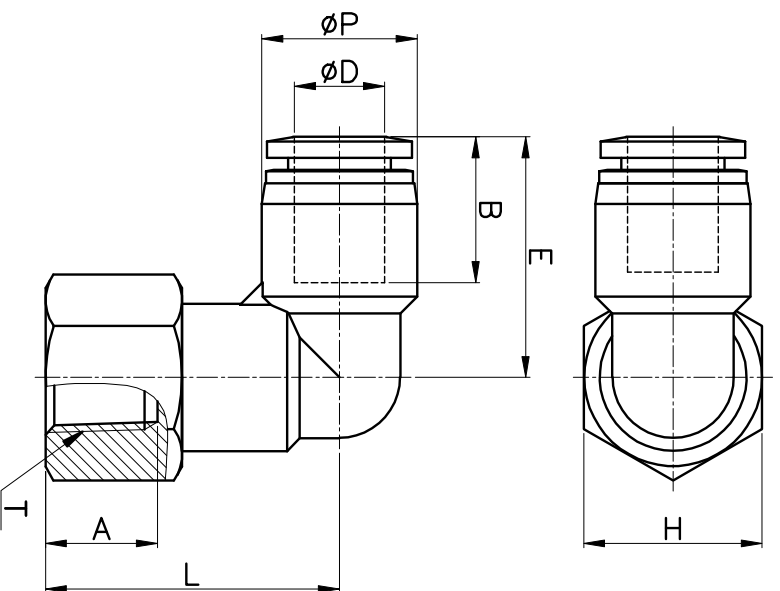


PLF



MODEL	ØD	ØP	T	L	E	A	B	H (Hex)	ORIFICE	WEIGHT (g)	BOX(EA)
PLF 04-M5			M5*0.8p	21.5		8.0		10		10.0	50
			M6*1.0p	21.5		8.0		10			
PLF 04-M6	4	10.5	M6*1.0p	21.5	18.5	8.0	14.8	10	3.0	10.0	50
PLF 04-01			Rc 1/8	22.5		9.0		14			
PLF 04-02			Rc 1/4	24.5		11.0		17		20.0	50
PLF 06-M5			M5*0.8p	23.5		8.0		12	4.2	16.0	50
PLF 06-M6			M6*1.0p	23.5		8.0		12		16.0	50
PLF 06-01	6	12.5	Rc 1/8	24.5	20.3	9.0	16.4	14		17.0	50
PLF 06-02			Rc 1/4	26.5		11.0		17			
PLF 06-03			Rc 3/8	27.5		12.0		22	4.0	36.0	50
PLF 06-04			Rc 1/2	29.5		14.0		24		37.0	50
PLF 08-01			Rc 1/8	26.0		9.0		14		19.0	50
PLF 08-02	8	14.8	Rc 1/4	28.0	22.9	11.0	18.3	17	6.0	26.0	50
PLF 08-03			Rc 3/8	29.0		12.0		22			
PLF 08-04			Rc 1/2	31.0		14.0		24		38.0	25
PLF 10-01			Rc 1/8	28.5		9.0		17		29.0	25
PLF 10-02	10	17.5	Rc 1/4	28.5	24.6	11.0	20.2	17	7.0	29.0	25
PLF 10-03			Rc 3/8	29.5		12.0		22			
PLF 10-04			Rc 1/2	31.5		14.0		24		44.0	20
PLF 12-02			Rc 1/4	31.4		11.0		19		40.0	20
PLF 12-03	12	20.5	Rc 3/8	32.4	28.7	12.0	22.9	22	10.0	48.0	20
PLF 12-04			Rc 1/2	34.4		14.0		24			