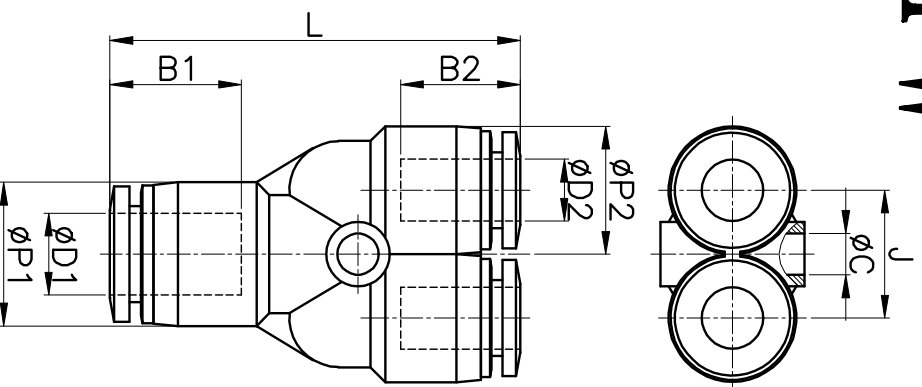


# PW



MODEL	$\phi D1$	$\phi D2$	$\phi P1$	$\phi P2$	L	J	$\phi C$	B1	B2	ORIFICE	WEIGHT (g)	BOX(EA)
PW 0604	6	4	13.0	10.5	37.6	10.5	3.3	17.6	16.0	3.3	7.0	100
PW 0804	8	4	14.8	10.5	39.1	10.5	3.3	18.6	16.0	3.2	9.0	50
PW 0806	8	6	14.6	13.0	41.7	13.0	3.3	18.6	17.6	5.0	11.0	50
PW 1006	10	6	17.5	13.0	43.0	13.0	3.3	19.8	17.4	5.0	13.0	50
PW 1008	10	8	17.5	14.6	44.5	14.6	4.3	19.8	18.6	5.0	15.0	50
PW 1208	12	8	21.0	14.8	47.4	14.8	3.3	22.2	18.6	6.4	20.0	25
PW 1210	12	10	21.0	17.5	50.7	17.5	4.5	22.8	19.9	7.0	24.0	25
PW 1612	16	12	25.5	21.0	57.0	21.0	5.3	24.1	22.8	9.0	33.6	-